

Springloaded Pressure Regulator

Model – BRF25S

Description

The BRF25S springloaded pressure regulator is designed for controlled pressures in the millibar range.

The regulator reduces the supply pressure on the inlet side to a controlled pressure on the outlet side.

Specifications

Inlet pressure	16 bar
Adjustable	0-800 mbar - 4 pressure ranges
Connections	DN25 flanges according EN 1092-1 or 1" flanges according ASME B16.5
Seat diameter	8 mm
Cv / Kv	Cv 1.8 / Kv 1.5

Fluids

This pressure regulator is suitable for gases.



Materials

The regulator is made out of barstock stainless steel material.

Body	ss 316L
Springhousing	ss 316L
Valve	ss 316L
Seat	NBR, FKM or EPDM
Setspring	ss 302
O-rings / diaphragm	NBR, FKM or EPDM

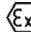
Other materials available on request.

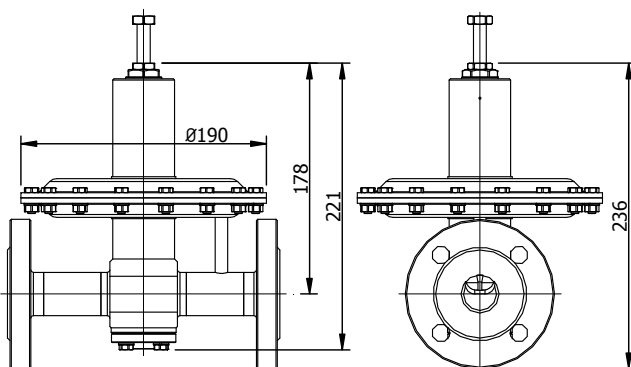
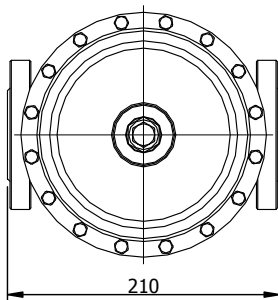
All metal parts are marked with a traceable batch number. Material certificates are available on request.

Technical details

- all parts cleaned and degreased
- leak-tight seat design
- all regulators tested before delivery

Standards

- EN 12516 - design
- EN 12266-1 - testing
- PED 2014/68/EU - SEP (article 4, paragraph 3)
- ATEX 94/9/EC -  II 2G



Springloaded Pressure Regulator

Model – BRF25S

Connections

The regulator is designed for flanged connections. The flanges are welded to the regulator with butt-welds.

Design pressures

The regulator has a design pressure of 16 bar for the inlet side and outlet side.

Depending on temperature or special wishes, the design pressure on the regulator could be different.

Temperature

The general temperature range of the regulator is -50 / 200 °C, but could be limited due to the used sealing materials.

NBR seals	-35 / 130 °C
FKM seals	-20 / 200 °C
EPDM seals	-50 / 120 °C

Regulators can be equipped with FFKM + PTFE seals. Other sealing materials on request.

Adjusting the regulator

The regulator comes standard with a setscrew. Optional a locking cap can be supplied.

Spare parts

Spare parts kits are available for the regulator. Mention the serial number in case you need spare parts for existing regulators.

Lowest controlled pressure

The lowest dynamic set pressure at low flow for the BRF25S is around 5-10 mbar.

Note that the regulator needs around 5 mbar pressure-increase to be fully closed.

Typenumber explanation

Example : BRF25S - 16D50 - SSV

model	design pressure	connections	adjustable	material	seat	seals	options
BRF25S	16 : 16 bar	D : DIN EN 1092-1	10 : 0-10 mbar	SS SS 316L	N NBR nitrile	N NBR nitrile	L locking cap
			50 : 0-50 mbar				
		A : ASME ASME B16.5	200 : 0-200 mbar		V FKM viton	V FKM viton	
			800 : 0-800 mbar				

All regulators are marked with a typenumber, a drawingnumber and a unique serialnumber. Dutch Regulators stores the exact configuration of the regulator in the serialnumber.