

Springloaded Pressure Regulator

Model – GRF25S-16

Description

The GRF25S-16 springloaded pressure regulator reduces the supply pressure on the inlet side to a controlled pressure on the outlet side.

Specifications

Inlet pressure	16 bar
Adjustable	0-3 bar
Connections	DN25 flanges EN 1092-1 or 1" flanges ASME B16.5
Seat diameter	16,5 mm
Cv / Kv	Cv 5.5 / Kv 4.7

Fluids

This pressure regulator is suitable for gases only.



Materials

The regulator is made out of barstock stainless steel material.

Body	ss 316L
Springhousing	ss 316L
Valve	ss 316L
Seat	NBR, FKM or EPDM
Valve spring	ss 316
Setspring	ss 302
O-rings / diaphragm	NBR, FKM or EPDM

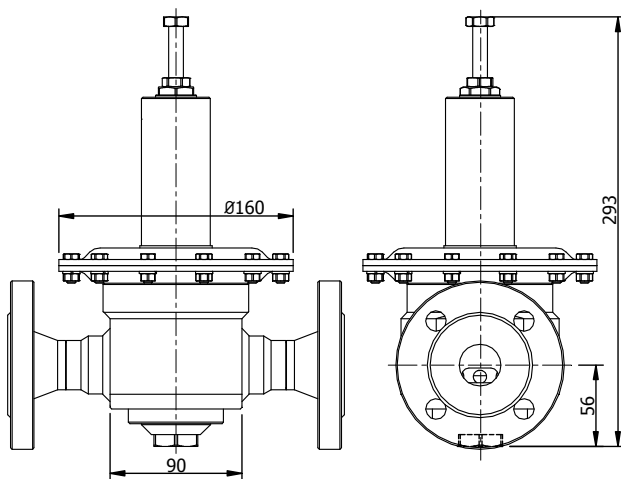
Other materials available on request.

All metal parts are marked with a traceable batch number. Material certificates are available on request.

Temperature

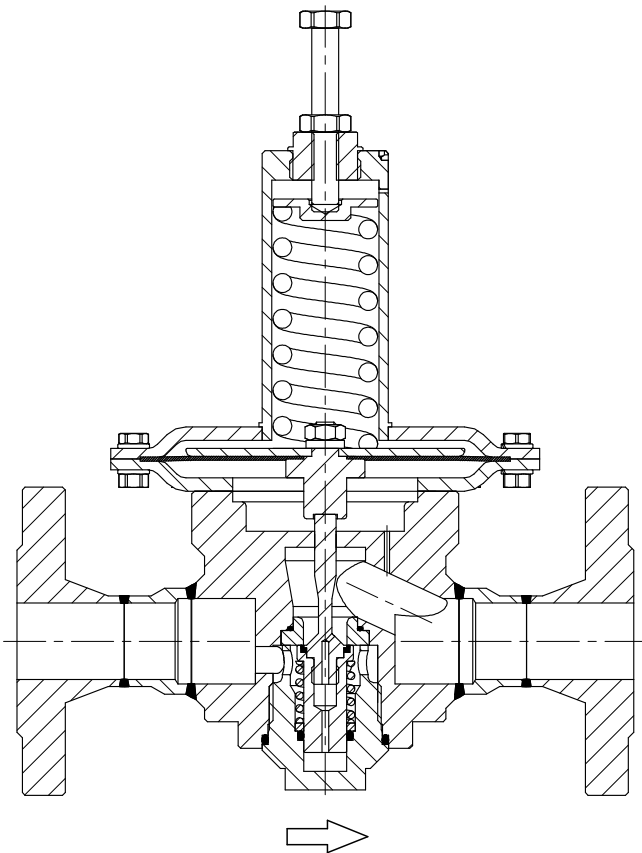
The general temperature range of the regulator is -50 / 200 °C, but could be limited due to the used sealing materials.

NBR seals	-35 / 130 °C
FKM seals	-20 / 200 °C
EPDM seals	-50 / 120 °C



Springloaded Pressure Regulator

Model – GRF25S-16



Features

The model is part of the GRF25S line and has a large diaphragm to handle pressures below 3 bar accurately.

For a leak-tight and accurate shut-off, the seat material is rubber. The valve is a balanced valve construction to assure an excellent performance.

Options

See for the options the datasheet of the GRF25S.

Design pressure

The diaphragm covers come with a limitation of the design pressure.

The regulator has a design pressure of 16 bar for the inlet and outletside.

Connections

The regulator is designed for flanged connections. The flanges are welded to the regulator with butt-welds.

DIN – flanges according to EN 1092-1

DN25 PN40 16 bar design pressure

ASME – flanges according to ASME B16.5

1" 150# 16 bar design pressure

Other connections like weld-stubs for example are available on request.

Typenumber explanation

Example : GRF25S – 16D3 – SSNN

model	design pressure	connections	adjustable	material	seat	seals	options
GRF25S	16 : 16 bar	D : DIN	1 : 0-1 bar	SS SS 316L	N nitrile	N nitrile	G1 one extra gaugeport
		EN 1092-1	3 : 0-3 bar				
		A : ASME B16.5			V viton	V viton	G2 two extra gaugeports
					FKM	FKM	
		S : weld stubs			E EPDM	E EPDM	L locking cap
							xxx codes for special option

All regulators are marked with a unique ID number, the exact configuration of the regulator is stored in this ID number. Always mention the ID number in case you need spare parts.