

VUMicro SM Series

Surface Mount Regulator



The VU Micro SM Series provides stability and sensitivity for Surface Mount Systems and all the performance benefits to modular design.



Features

- ▶ Meets SEMI Modular Interface specifications.
- ▶ Flow capacity up to 30slpm.
- ▶ Gas system footprint reduction.
- ▶ Reduced wetted volume.
- ▶ Ease of component retrofit.
- ▶ Standard surface finish 5µin (0.125µm).
- ▶ No threads or threads exposed to the wetted area.
- ▶ Standard full internal electropolish.

Material of Construction

Wetted

Body.....S/S 316L
 Poppet.....Hastelloy C-22
 Seat.....PCTFE (formerly Kel-F81®)
 Diaphragm.....Hastelloy C-22

Non-Wetted

Cap.....Nickel Plated Brass
 Adjusting Screw.....S/S 316L
 Knob.....Alum. Powder Coated

Operating Conditions

Max. Inlet.....250psig (17barg)
 Outlet.....-10in Hg~60psig
 (250torr~4barg)
 Temp.....-40°F to 150°F (-40°C to 65°C)

Functional Performance

Flow Capacity..... $C_v = 0.06$
 (SEMI Flow Coefficient Test # F-32-0998)
 Design Leak Rate:
 Outboard..... 2×10^{-9} scc/sec He
 Inboard..... 2×10^{-10} scc/sec He
 Across Seat..... 5×10^{-8} scc/sec He
 Design Proof Pressure.....375psig (26barg)
 Design Burst Pressure.....750psig (52barg)

Surface Finish

Standard Ra.....5µin (0.125µm)

Standard Connections

SEMI modular interface

Approximate Weight

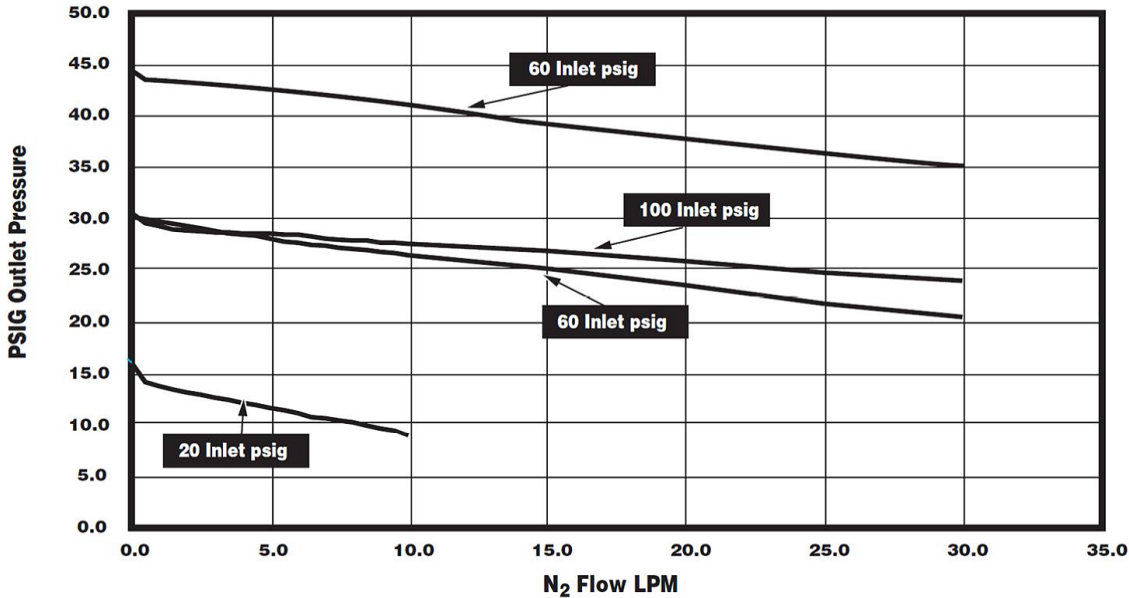
0.75lbs (0.34kg)



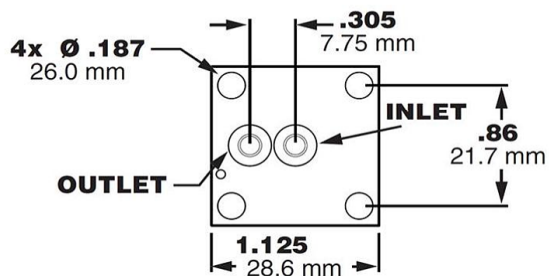
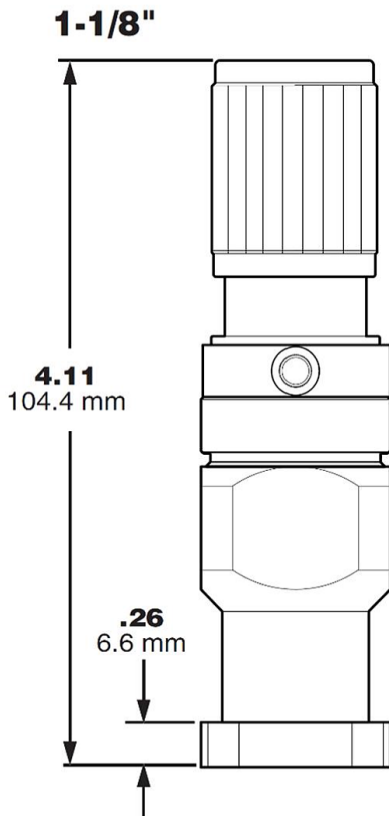
VUMicro SM Series

Surface Mount Regulator

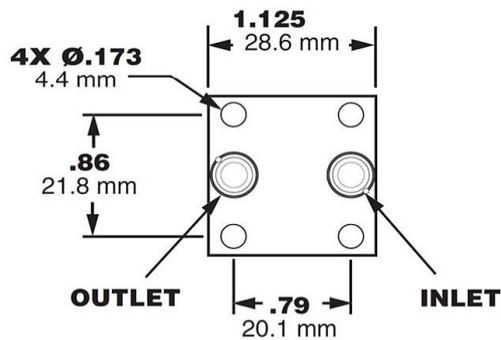
Flow Curve



Dimensional Drawing



1-1/8" Standard C-Seal

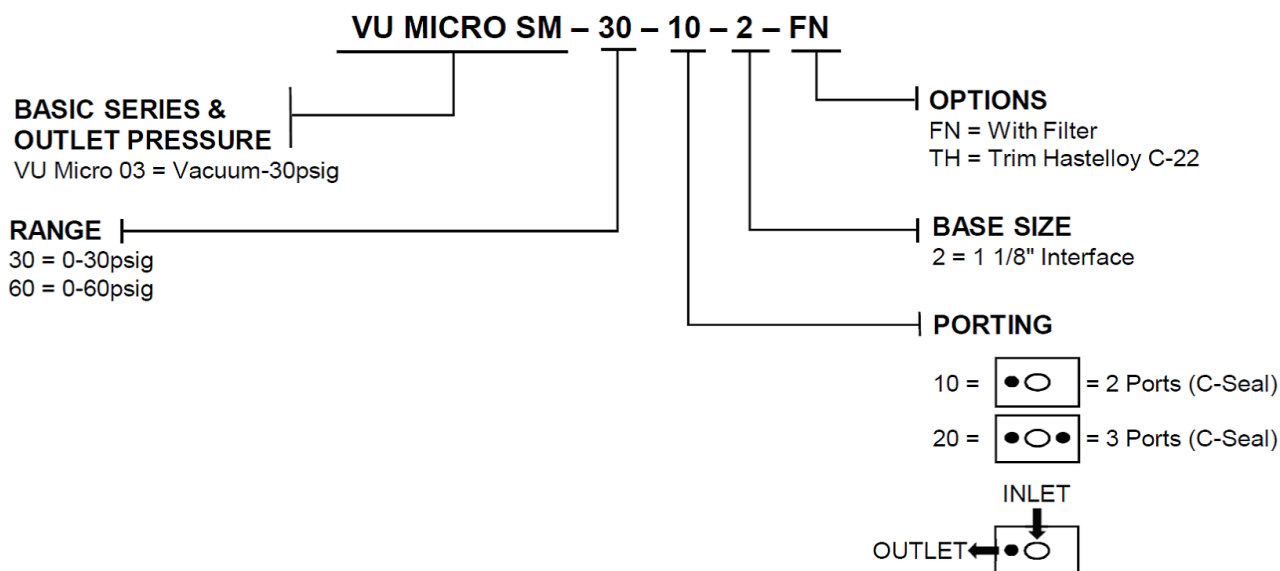


1-1/8" W-Seal

VUMicro SM Series

Surface Mount Regulator

Ordering Information



EXAMPLE:

- VU Micro SM-30-10-2-FN
2 port VU Micro 03 (0-30psig) in 1 1/8" interface with filter.
- VU Micro SM-60-20-2-TH
3 port VU Micro 03 (0-60psig) in 1 1/8" interface with trim Hastelloy C-22.
- VU Micro SM-30-20-2
2 port VU Micro 03 (0-30psig) in 1 1/8" interface.